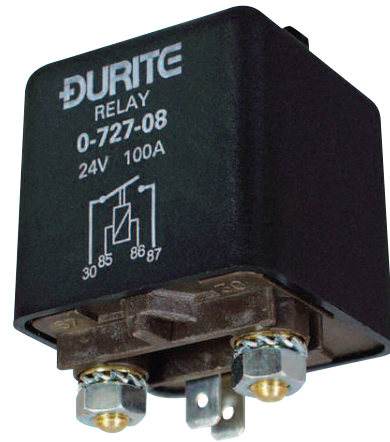


auto electrical parts

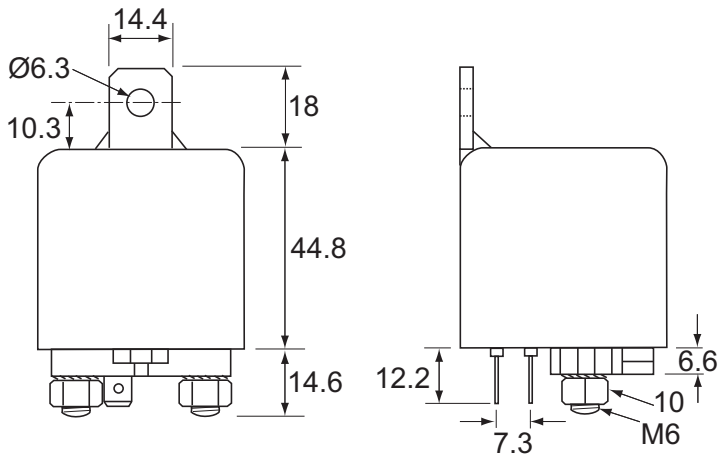
Technical Information Sheet

Part No. 0-727-08

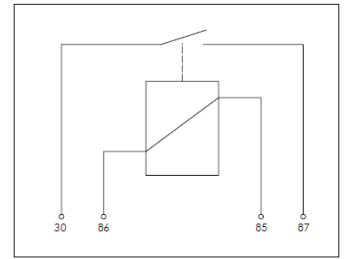
Extra heavy duty make and break relay. 24 volt, 100 amp, with bracket. 2 x 6.3mm terminal and 2 x M6 stud.



Technical Drawing (not to scale)



Circuit Diagram



Specification

Type	Make and break relay
Voltage	24 volt dc
Current	100 amp (continuous) 150 amp (intermittant)
Excitation voltage	1.5 - 4.5 volt
Coil dropout voltage	13 - 17 volt
Coil current	0.35 amp
Coil resistance	68Ω ±5%
Terminal voltage drop	0.2 - 0.3 volt
M6 Stud	Brass
Torque	5 N/m (maximum)
Case material	Nylon PA6 with 15% Glass Fibre
Operating temp range	-30°C to +80°C
Storage temp range	-40°C to +85°C
Operating life	5 x 10 ⁴ (electrical)
Weight	96g
Dimensions	l 45.9 x w 45.9 x h 62.8mm (excluding terminals)

The information contained in this document is correct to the best of our knowledge at the time of printing. However, specifications may change at any time without notice.